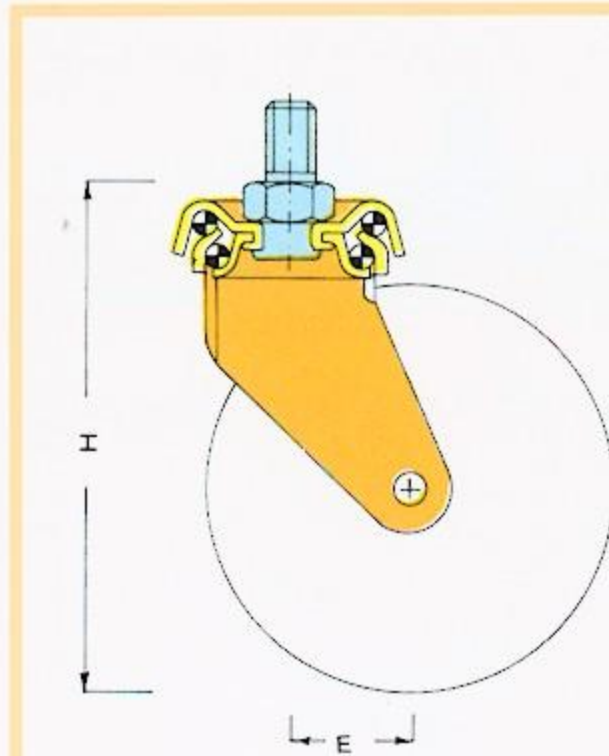


# SERIE 422



Ø = mm.	75x20	80x24	100x22	100x26	125x28
H = mm.	100	103	125	125	157
E = mm.	30	30	30	30	30
Portata = Kg.	40	40	50	50	60

Supporto in acciaio stampato girevole su doppio giro di sfere.  
Ruota in polypropylen con DISCHI PARAFILO zincati.  
Anello in gomma GRIGIA.

Zinc-coated pressed steel support swivel on double balls races.  
Polypropylen centre on plain bearing with THREAD-GUARDS.  
Grey rubber tyres.

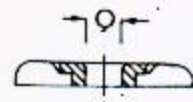
Chape pivotante sur deux couronnes de billes, en acier estampé zingué.

Corps de la roue en polypropylen avec PARE-FILS zingués.  
Bandage en caoutchouc gris.

Lenkrollen aus verzinkt Stanzstahltech.

Polypropylenkörper gleitlager mit Fädenschuttscheiben.

Reifen aus blau-grau Volgummi.

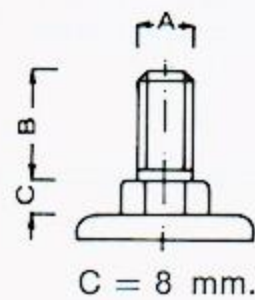


Q = Ø 10,3 mm.

Q = Ø 12,3 mm.

Ø 75x20    80x24    100x22    100x26    125x28

	75x20	80x24	100x22	100x26	125x28
42275Q1	42280Q1	422101Q1	422100Q1	422125Q1	
42275Q2	42280Q2	422101Q2	422100Q2	422125Q2	



A x B = M. 10 x 40 mm.

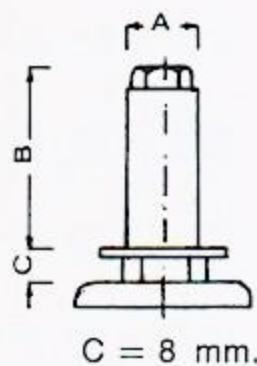
A x B = M. 12 x 20 mm.

A x B = M. 12 x 35 mm.

A x B = M. 12 x 60 mm.

C = 8 mm.

	75x20	80x24	100x22	100x26	125x28
42275F2	42280F2	422101F2	422100F2	422125F2	
42275F3	42280F3	422101F3	422100F3	422125F3	
42275F5	42280F5	422101F5	422100F5	422125F5	
42275F6	42280F6	422101F6	422100F6	422125F6	



A x B = Ø 17 x 60 mm.

A x B = Ø 19 x 60 mm.

A x B = Ø 20,5 x 60 mm.

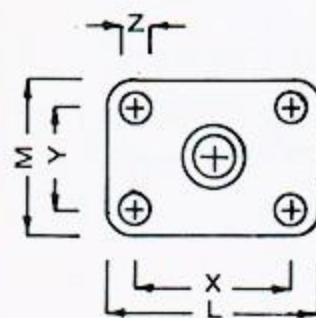
A x B = Ø 23,5 x 60 mm.

A x B = Ø 25 x 60 mm.

A x B = Ø 20-22 x 60 mm.

C = 8 mm.

	75x20	80x24	100x22	100x26	125x28
42275E1	42280E1	422101E1	422100E1	422125E1	
42275E2	42280E2	422101E2	422100E2	422125E2	
42275E3	42280E3	422101E3	422100E3	422125E3	
42275E4	42280E4	422101E4	422100E4	422125E4	
42275E5	42280E5	422101E5	422100E5	422125E5	
42275E7	42280E7	422101E7	422100E7	422125E7	



L x M = 64 x 50 mm.

X x Y = 50 x 36 mm.

Z = 6,5 mm.

L x M = 90 x 70 mm.

X x Y = 70 x 50 mm.

Z = 8,2 mm.

	75x20	80x24	100x22	100x26	125x28
42275P	42280P	422101P	422100P		
					422125P